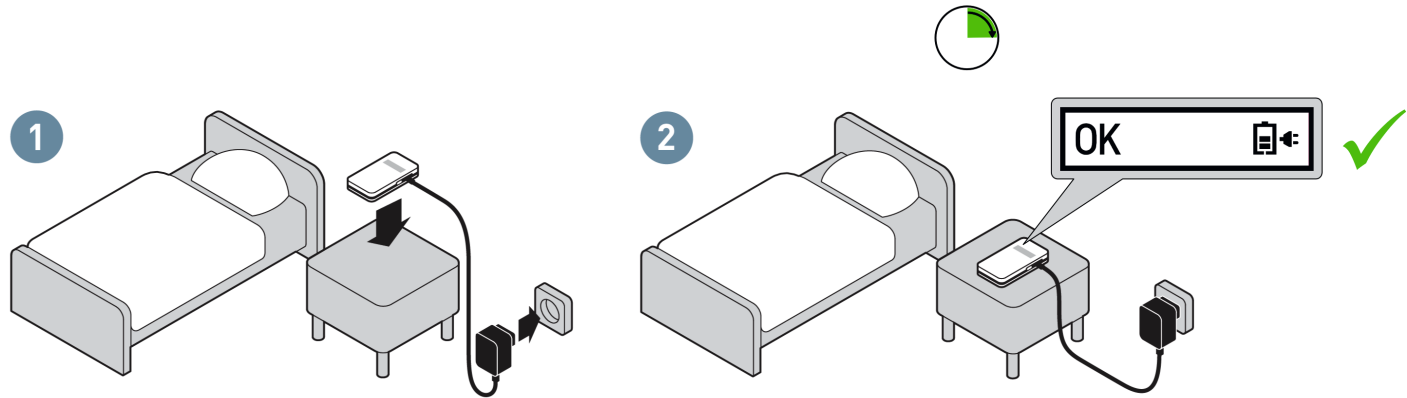


CardioMessenger Smart Quick Start Guide



Revision: D (2019-07-31)



399230

BIOTRONIK SE & Co. KG
Woermannkehre 1
12359 Berlin / Germany
Tel +49 (0)30 68905-0
Fax +49 (0)30 6852804
sales@biotronik.com
www.biotronik.com

 **BIOTRONIK**
excellence for life